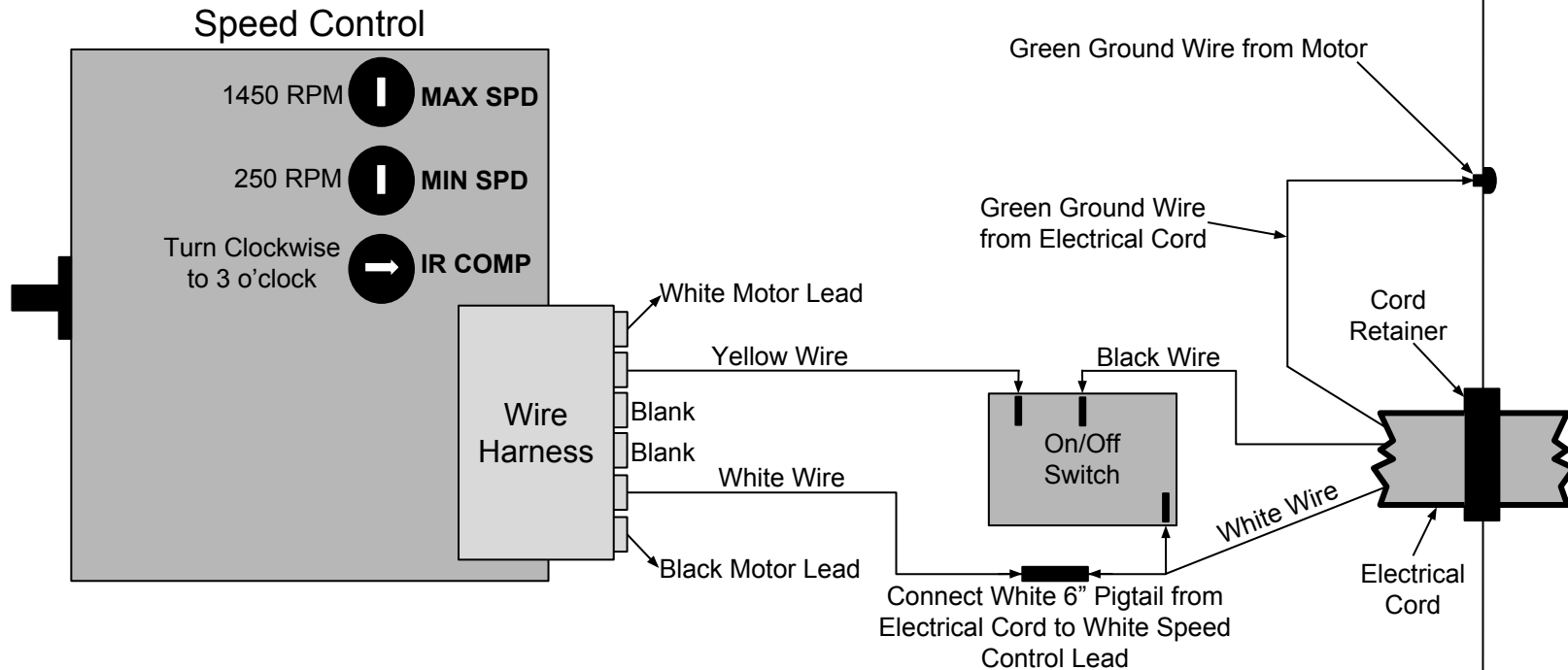


Tru Hone Wiring Diagram for MM31750A-0567 Speed Control (For 110V LC Models)

- Adjust **MAX SPD** with Speed Control Knob at "10". Honing Wheel Shaft Speed = 1450 RPM.
- Adjust **MIN SPD** with Speed Control Knob at "3". Honing Wheel Shaft Speed = 250 RPM.
- Turn **IR COMP** Clockwise to 3 o'clock.



Tru Hone Corporation
1721 NE 19th Avenue
Ocala, Florida 34470 USA

TRU HONE
...ends the
"Stone Age"
of Knife Sharpening.

800.237.4663
352.622.1213
TruHone.com